

STANDARD DRIVE TO CANON CAT  
by Dwight Elvey jan16,2009

34 Pin to Drives

- /REDWC 2
- N/C 4
- N/C 6
- /INDEX 8
- /MOTEA 10
- /DRVSB 12
- /DRVSA 14
- /MOTEB 16
- /DIR 18
- /STEP 20
- /WDATA 22
- /WGATE 24
- /TRKOO 26
- /WPT 28
- /RDATA 30
- /SIDE1 32
- /DSKCHG 34

Odd Pins  
are GND

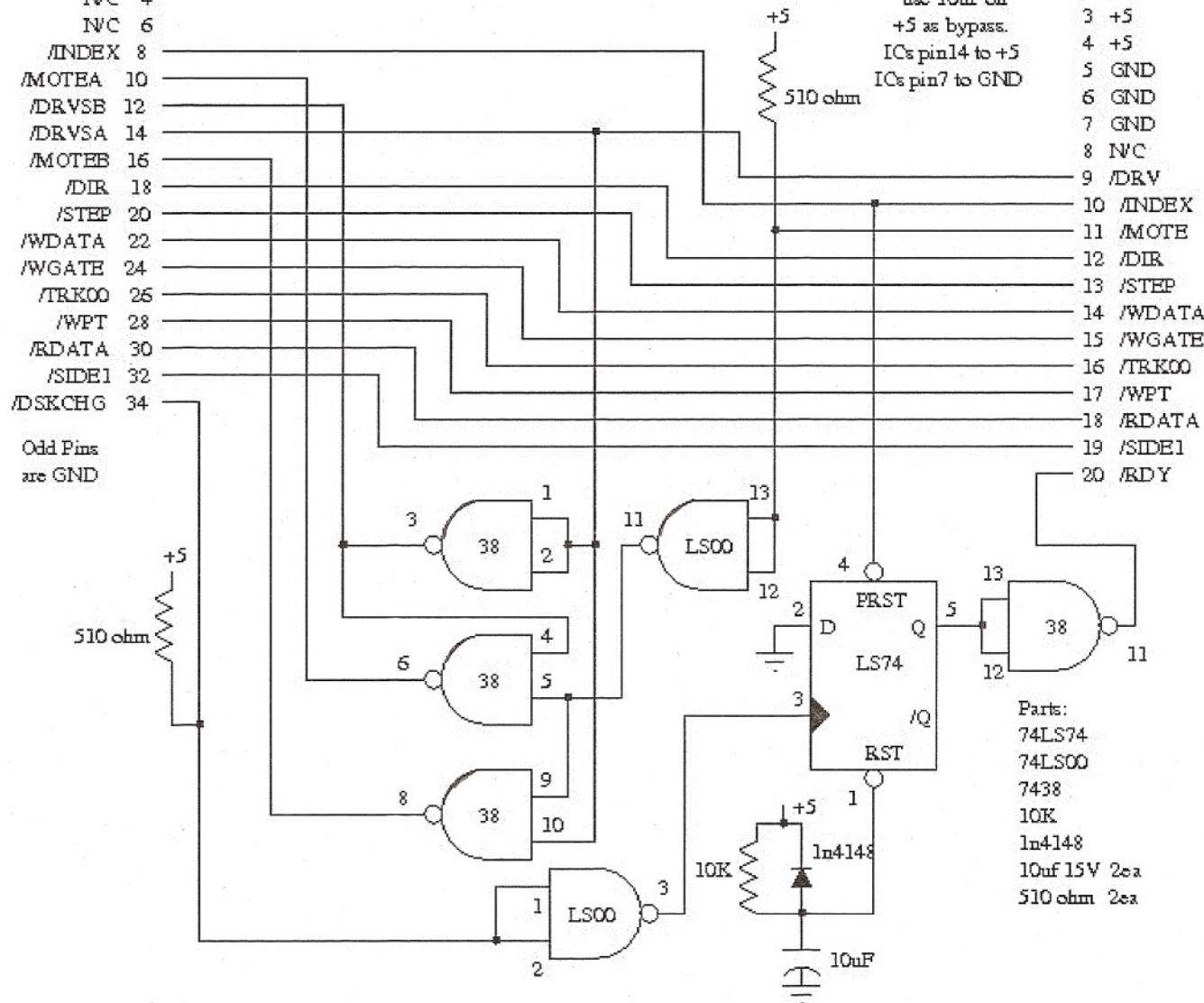
Wire floppy power connectors

- and logic power
- use 10uF on
- +5 as bypass.
- ICs pin14 to +5
- ICs pin7 to GND

20 pin from Cat

- 1 +12
- 2 +12
- 3 +5
- 4 +5
- 5 GND
- 6 GND
- 7 GND
- 8 N/C
- 9 /DRV
- 10 /INDEX
- 11 /MOTE
- 12 /DIR
- 13 /STEP
- 14 /WDATA
- 15 /WGATE
- 16 /TRKOO
- 17 /WPT
- 18 /RDATA
- 19 /SIDE1
- 20 /RDY

Notes:  
1 Power to the drives can come from the 20 pin or separate power supply.  
2 Primary drive is expected to have the select lines pins 10 to 16 twisted as per PC AT cable.  
3 In order to enable two sided operation, it requires a jumper on the Cat's board at JP11 and additional software to enable.



- Parts:  
74LS74  
74LS00  
7438  
10K  
1n4148  
10uF 15V 2ea  
510 ohm 2ea